

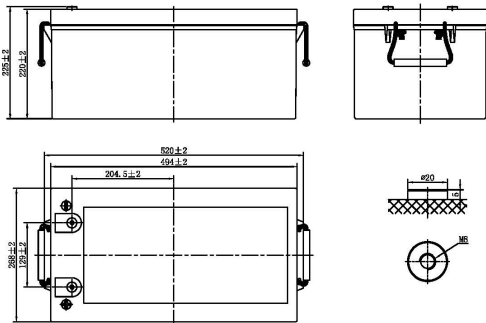
Li-ion Battery

25.6V 200Ah

LFP Li-ion Battery



Dimension:



Unit: mm

SAFETY

- + Prismatic LiFePO4 cells (205Ah), High consistency, long cycle life and much more safety.
- + UN38.3, CE certification for system.
- + The cycle life over 3000 times @80%DOD

DESIGN

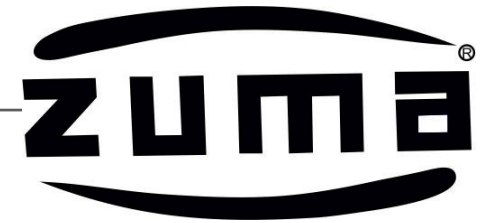
- + ABS container, replace VRLA battery perfectly.
- + Fast charge performance.
- + -20~+55° C widely temperature range.
- + Maintenance free.

BATTERY MANAGEMENT SYSTEM (BMS)

- + Integrated hardware BMS inside.
- + Independent protection for charge and discharge.
- + Over voltage, low voltage, over temperature and short circuit protection.

Li-ion Battery

25.6V200Ah



Specification

Model	R-LFP25.6V200Ah
Part Number	8010256020001
Nominal Voltage [V]	25.6
Nominal Capacity [Ah]	200
Total Energy [Wh]	5120
Max. Charging Current [A]	100
Recommended Charging Current [A]	80
Charging Voltage [V]	29.2
Max. Discharging Current [A]	100
End of Discharge Voltage [V]	22.4
Pulse Discharge Current	270A @ 10s
Dimension [W*D*H, mm]	522*268*220
Weight [Kg]	40.0
Operation Humidity	0~95% RH (No condensing)
Operating Temperature Range	Charge: 0 ~ +50 °C; Discharge: -20 ~ +55 °C
BMS Protection	Over charge Over discharge, Over temperature, Short circuit
Parallel Support	Yes, Max 2 Sets
Series Support	No Support
Cycle Life	> 3000
Designed Calendar Life	>10 Years
Certification	UN38.3, CE, MSDS

Note:

- 1. 80% DOD and to 80% of initial capacity.

The datasheet is subject to change without prior notification