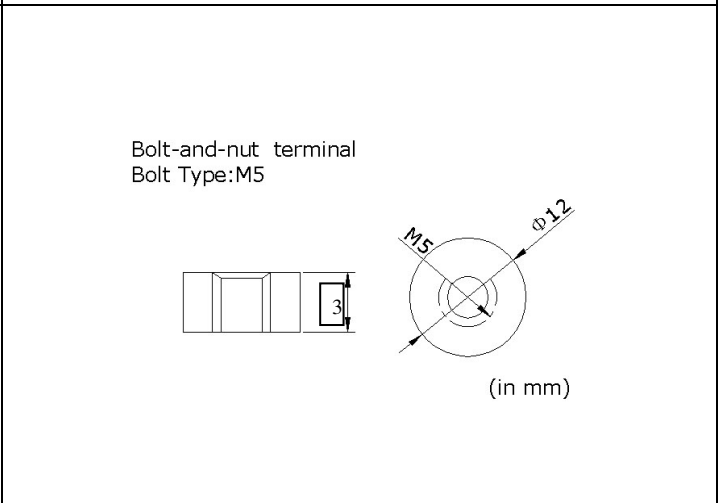
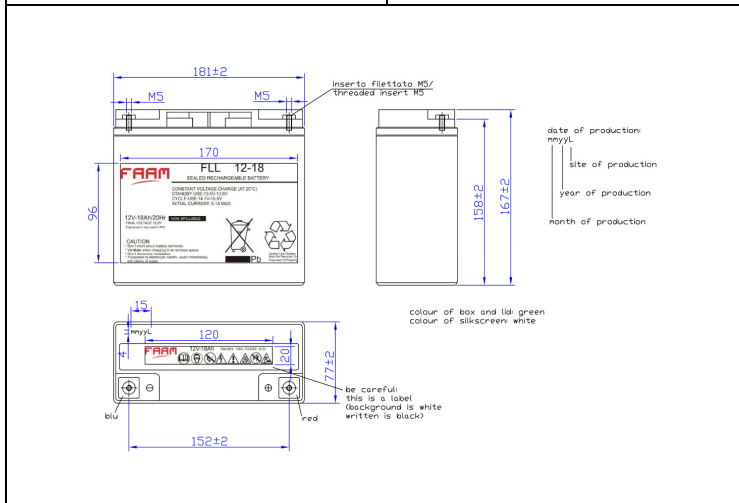




FLL 12-18

DIMENSIONAL FEATURES

Nominal Voltage	12V	Technology: AGM VRLA Alloy: Pb/Ca Typology of plates: flat Temperature exercise : from -10°C to +50°C Battery sealed no maintenance Safety valves VRLA (a valve per each cell) Box and lid material ABS according UL94:V0 IEC 707 Design life >12 years (at 20°C) "Long Life" Standards: IEC CEI EN 60896 Parts 21 and 22	
Nominal Capacity (20 hours)	18Ah (Vfin 1,8Vpc at 20°C)		
Dimensions	Length		181 ±2mm
	Width		77 ±2mm
	Box Height	167 ±2mm	
	Total Height	167 ±2mm	
Drawing n° 4 00249-0	Weight	5,5 Kg ± 5%	
Standard Terminals	Female screw type : M5		



ELECTRIC FEATURES

Characteristics			Discharging curves (20°C)	
Capacity	20 hours (1,8Vfin pc at 20°C)	18,00Ah		
	10 hours (1,8Vfin pc at 20°C)	15,00Ah		
	5 hours (1,7Vfin pc at 20°C)	13,20Ah		
	3 hours (1,7Vfin pc at 20°C)	11,55Ah		
	1 hour (1,6Vfin pc at 20°C)	9,21Ah		
Temperature influence on the capacity	40°C	102%		
	20°C	100%		
	0°C	85%		
Internal Resistance 15,3 mΩ±10%		SCC 350 A ±10%		
Constant Charging Voltage	Cyclic use	Initial Charging Current less than 5,1A Voltage 14.70~15.00V at 20°C Temperature Coefficient -30 mV/°C		
	Stand-by use	No limit on Initial Charging Current Voltage 13.60~13.80V at 20°C Temperature Coefficient -20 mV/°C		

Discharge Table at constant Current (Amp) and constant Power (Watt/cell) at 20°C

V _{final} /Time		5min	15min	30min	60min	90min	120min	180min	300min	480min	600min
9,9V	A	56,44	30,45	16,76	9,16	7,55	6,38	3,86	2,65	1,82	1,58
	W	106,46	52,28	31,32	20,22	15,62	12,48	8,68	5,08	4,09	3,38
10,2V	A	55,91	30,14	16,26	9,15	6,20	5,24	3,85	2,64	1,82	1,55
	W	98,76	51,70	29,16	19,78	15,28	12,21	8,09	5,01	4,03	3,34
10,8V	A	52,50	25,25	15,45	8,94	6,06	5,12	3,81	2,59	1,79	1,50
	W	90,6	47,61	27,00	18,31	14,15	11,31	7,66	4,87	3,88	3,23